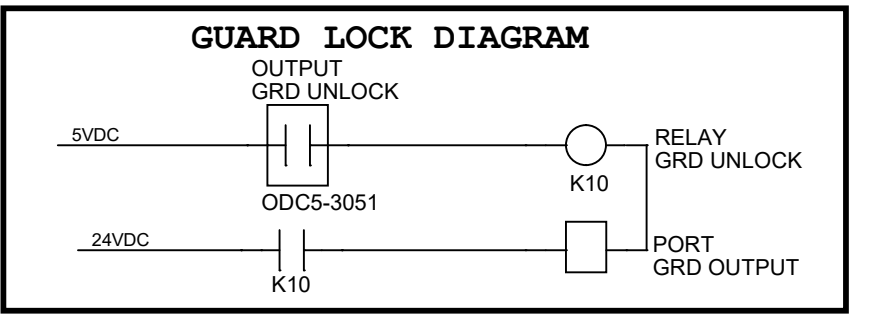
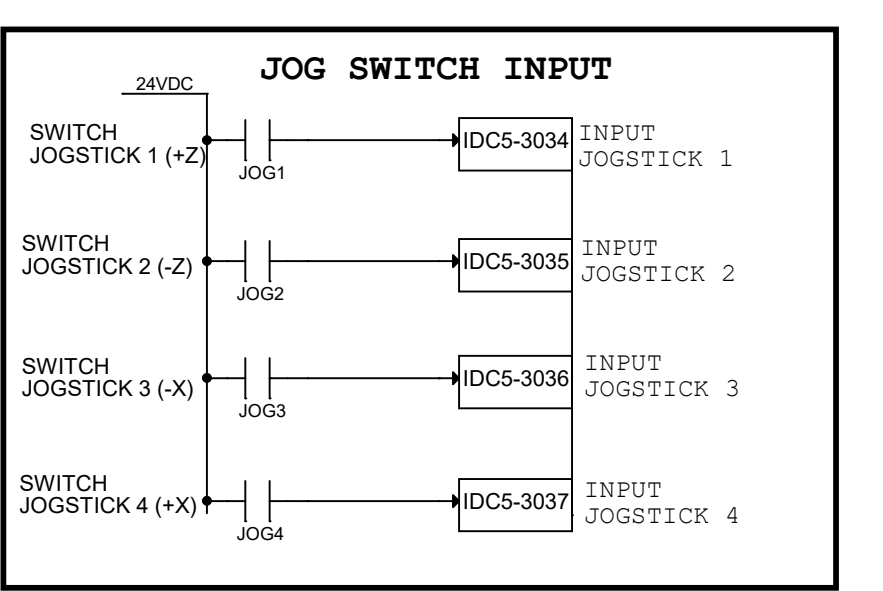
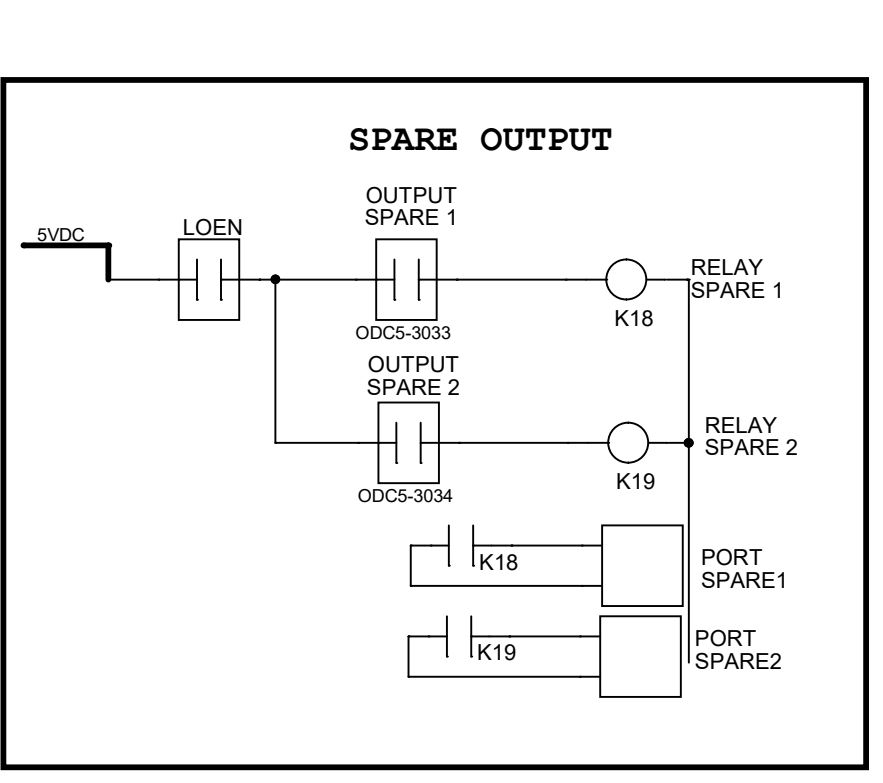
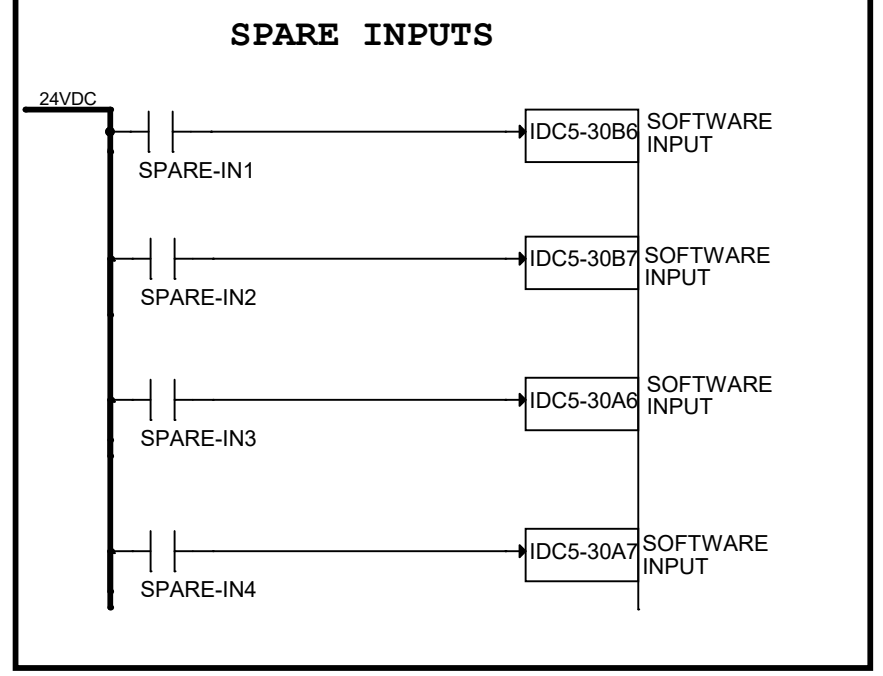
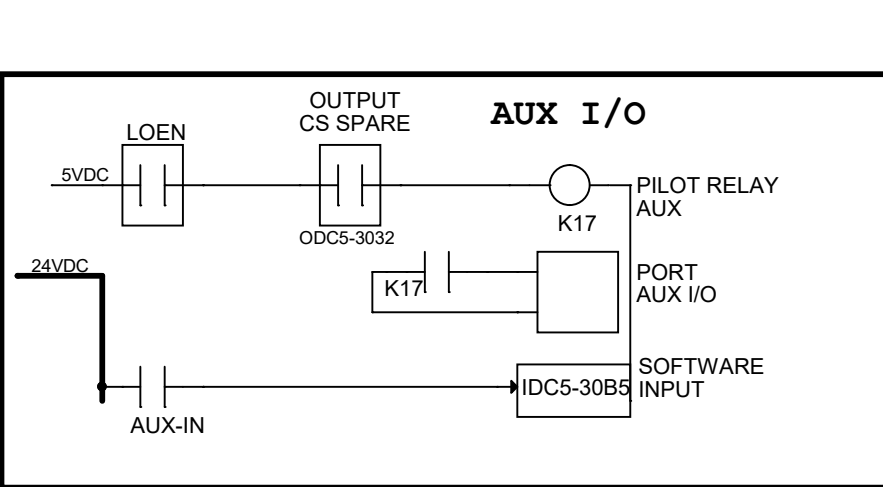
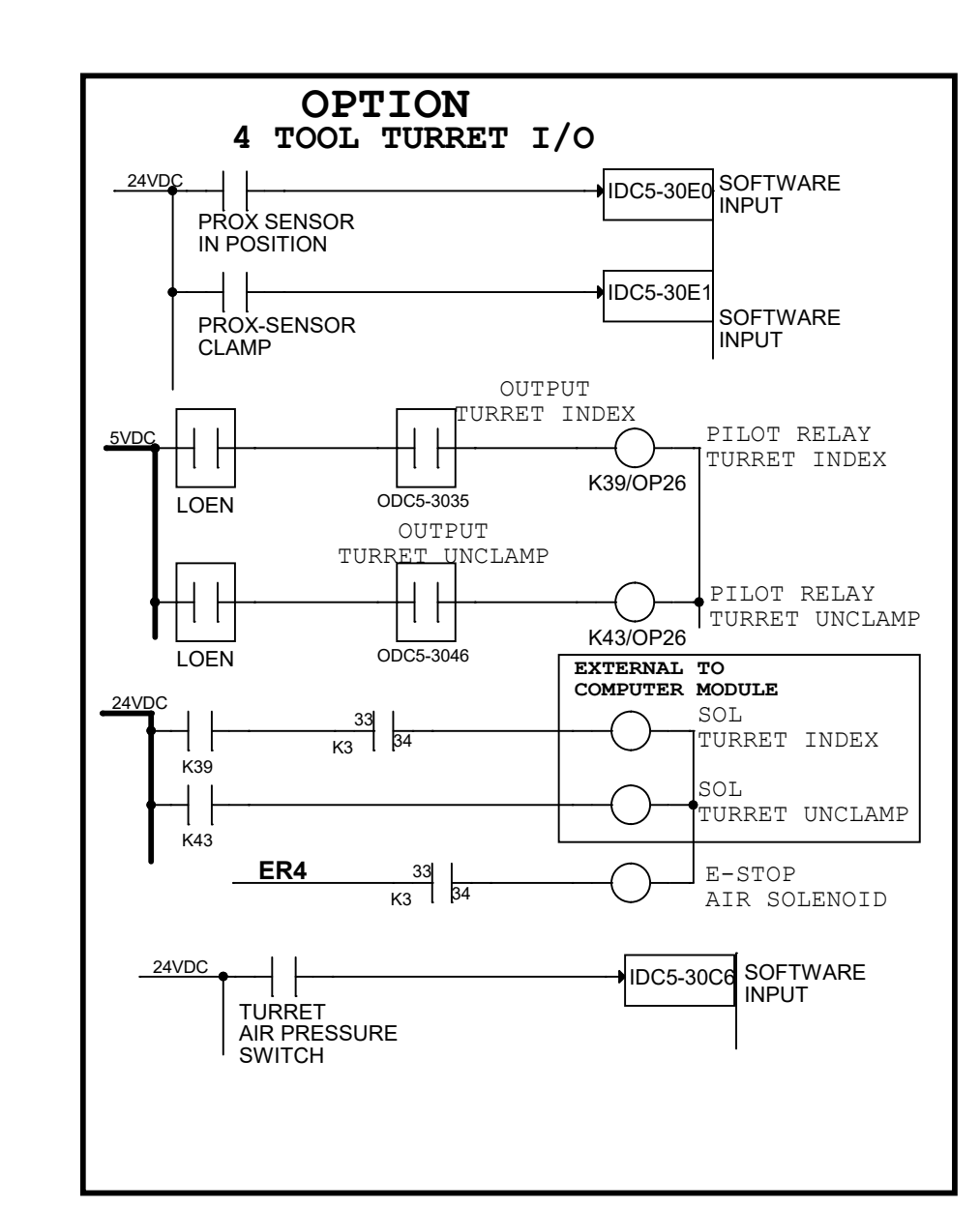
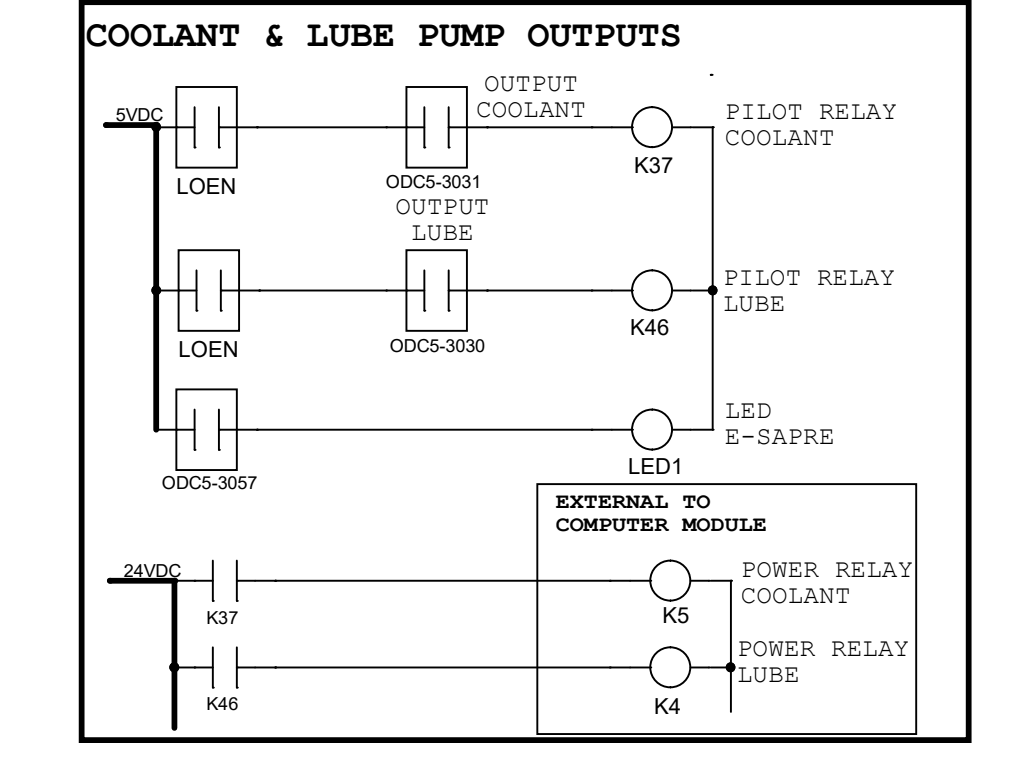
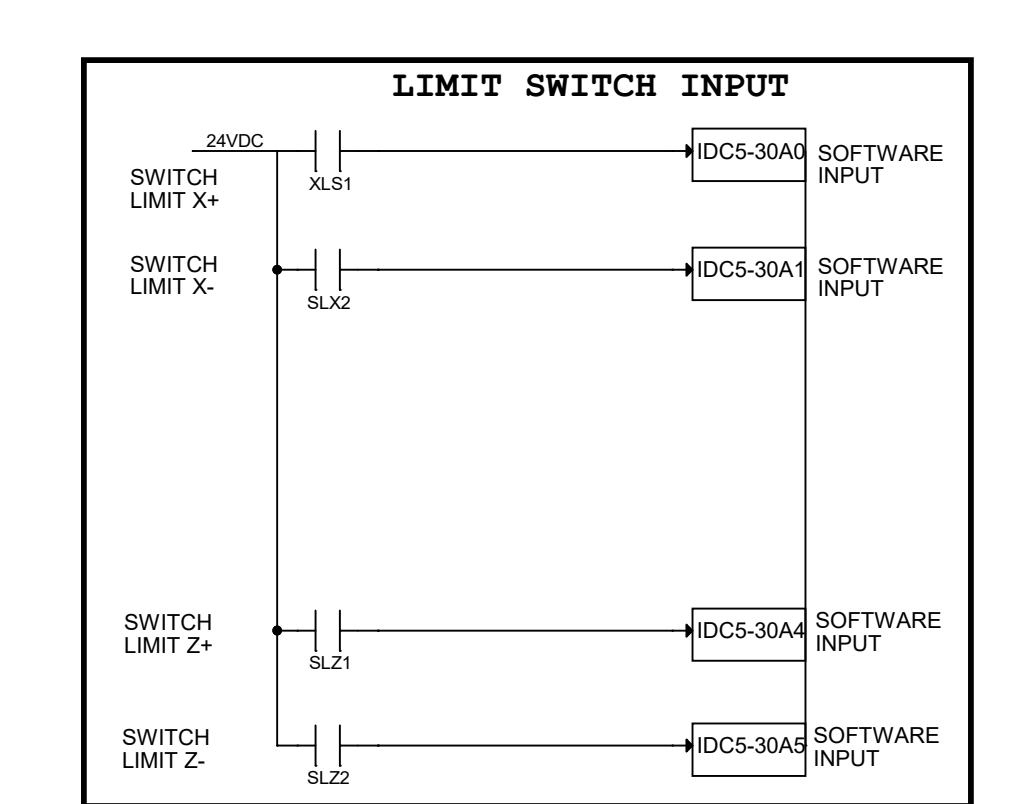
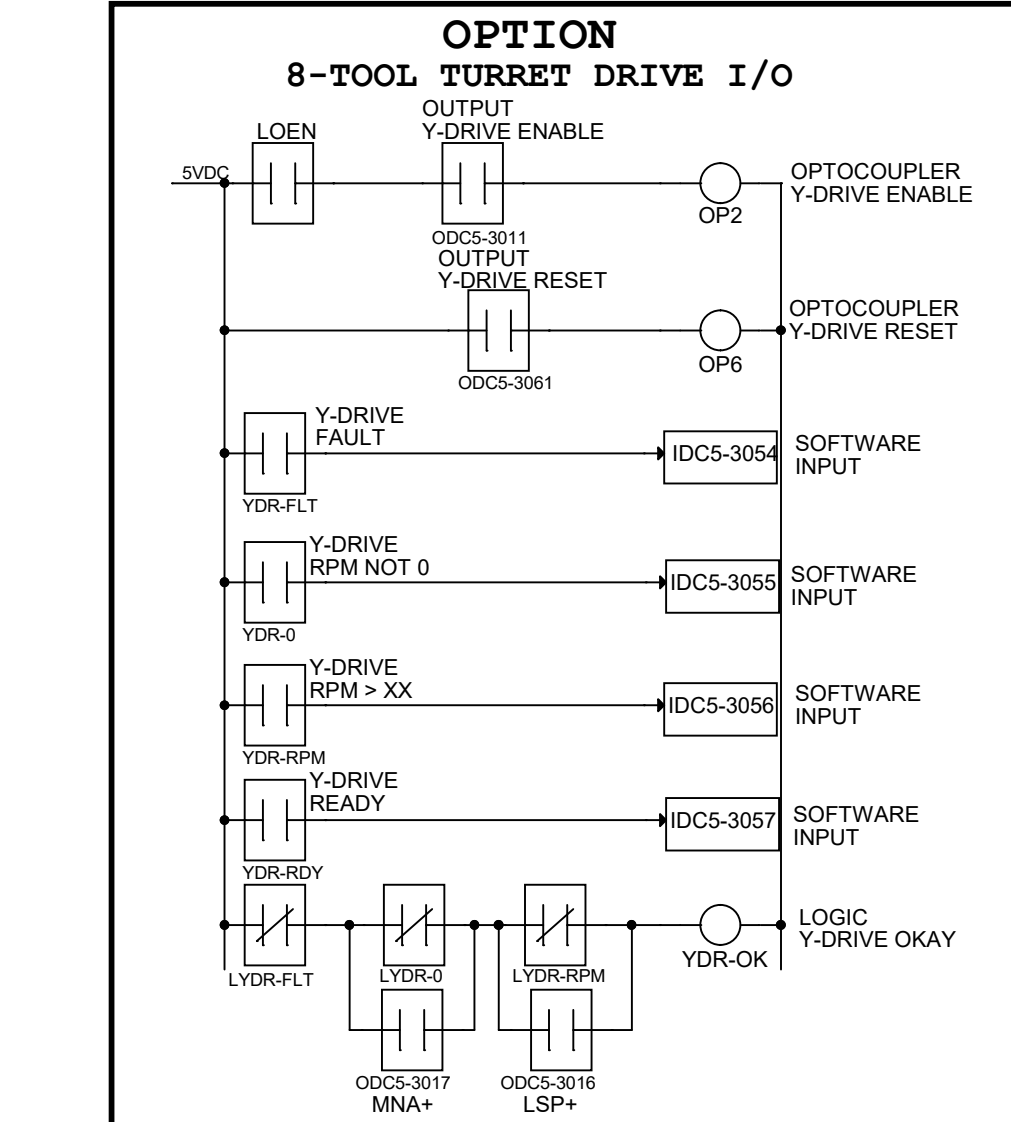
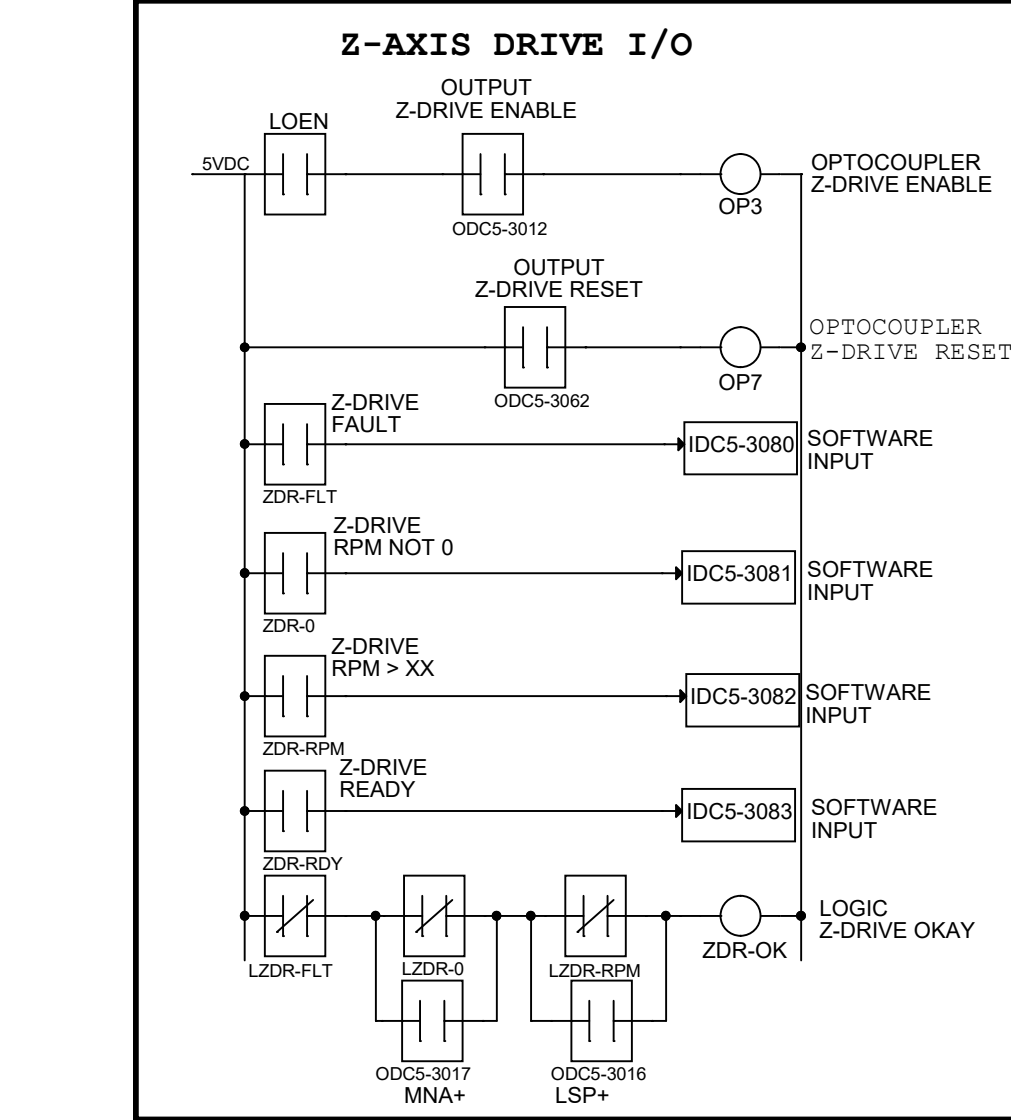
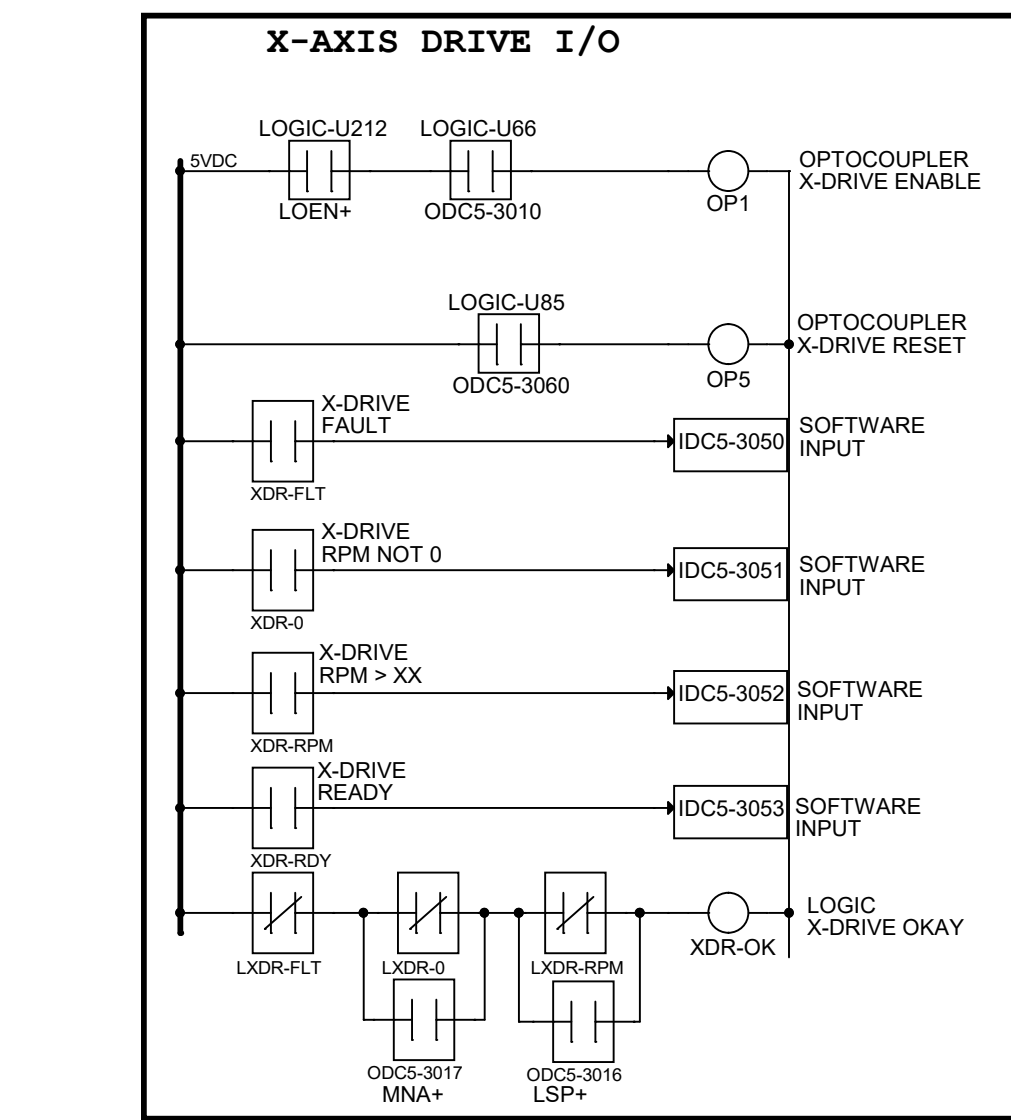
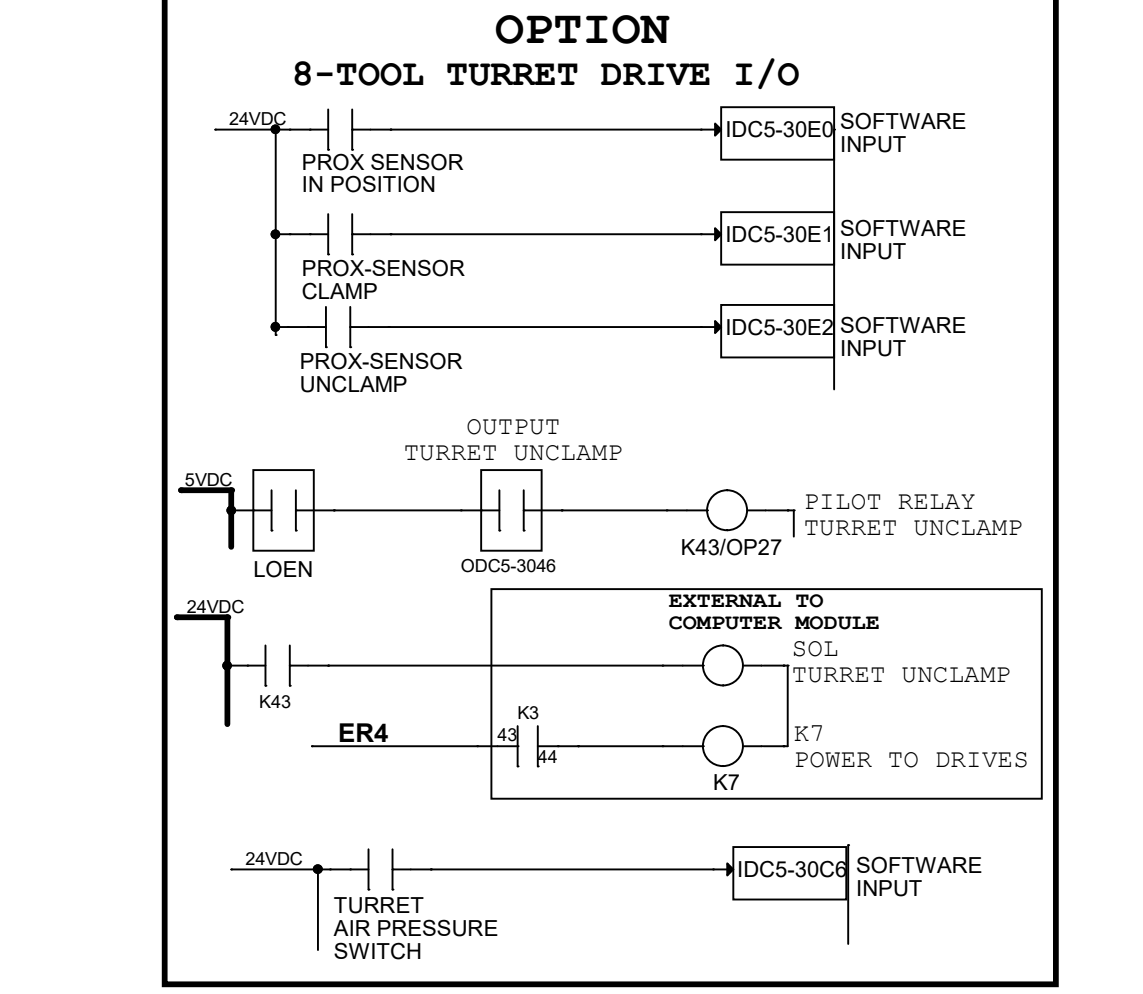
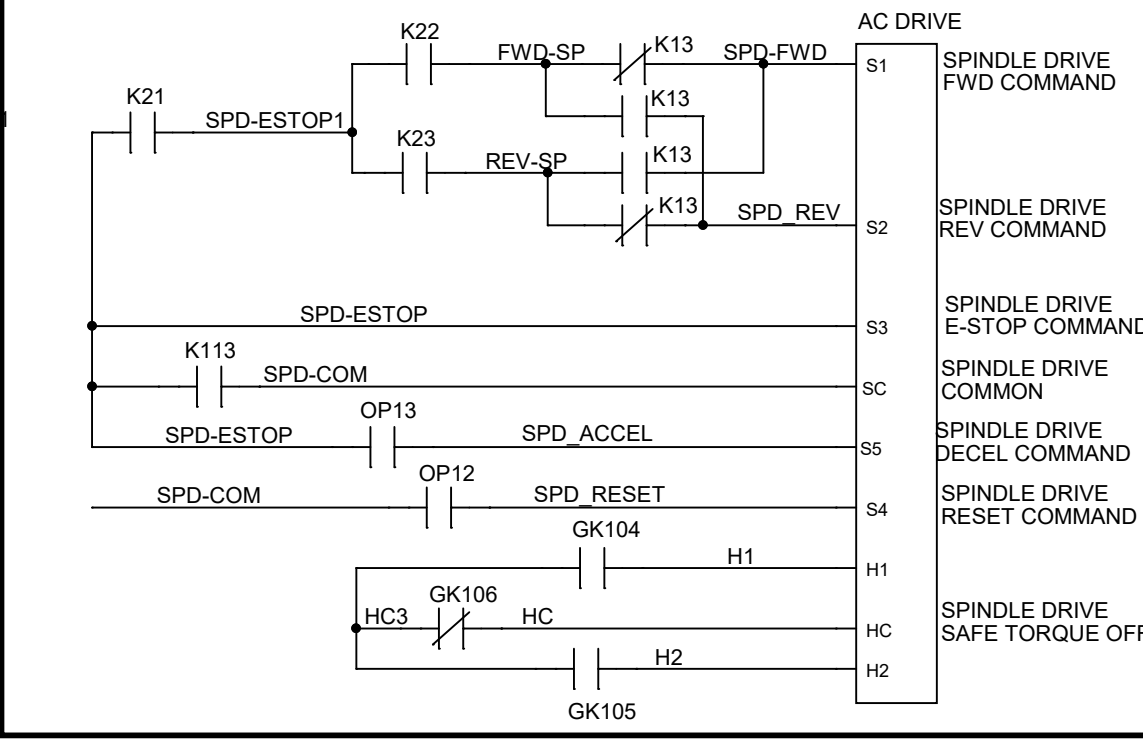
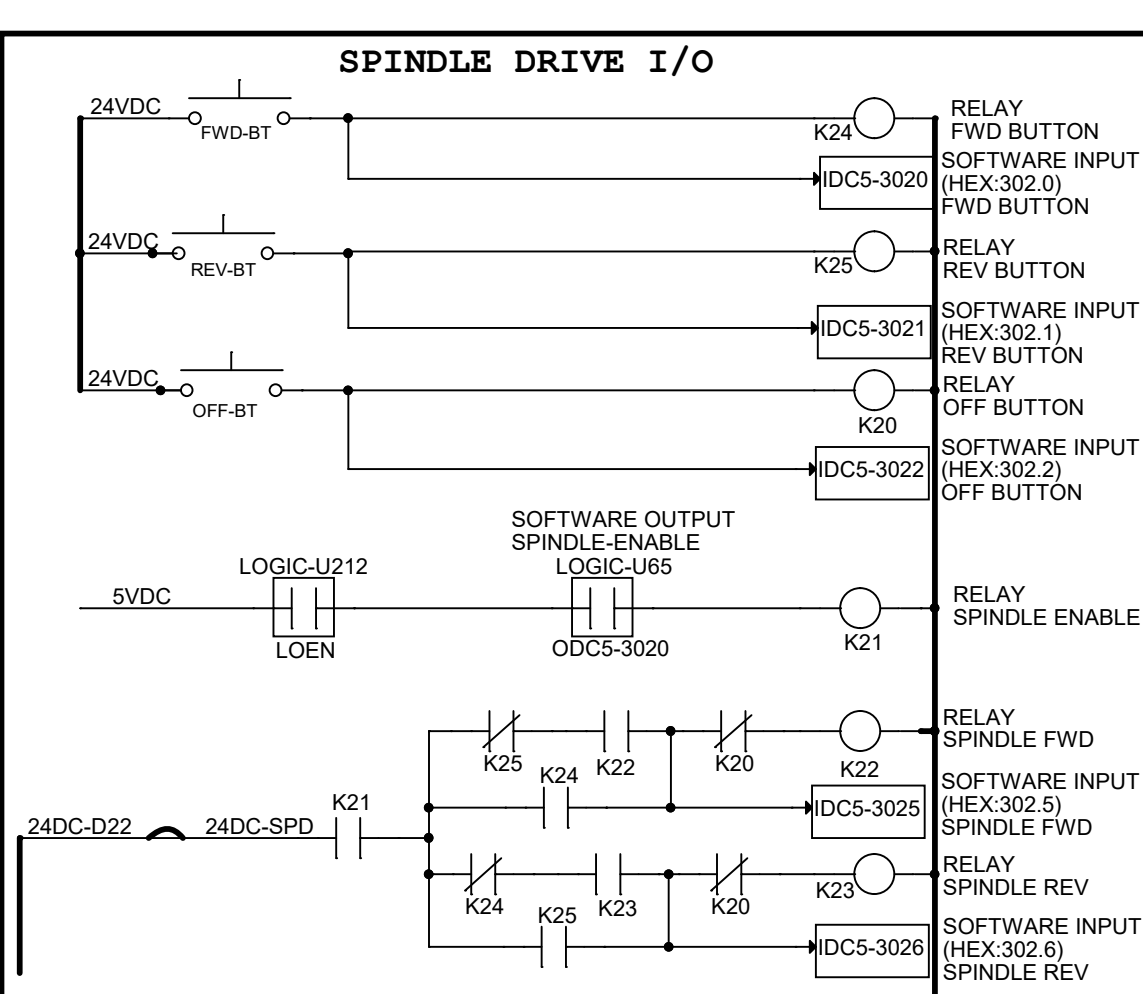
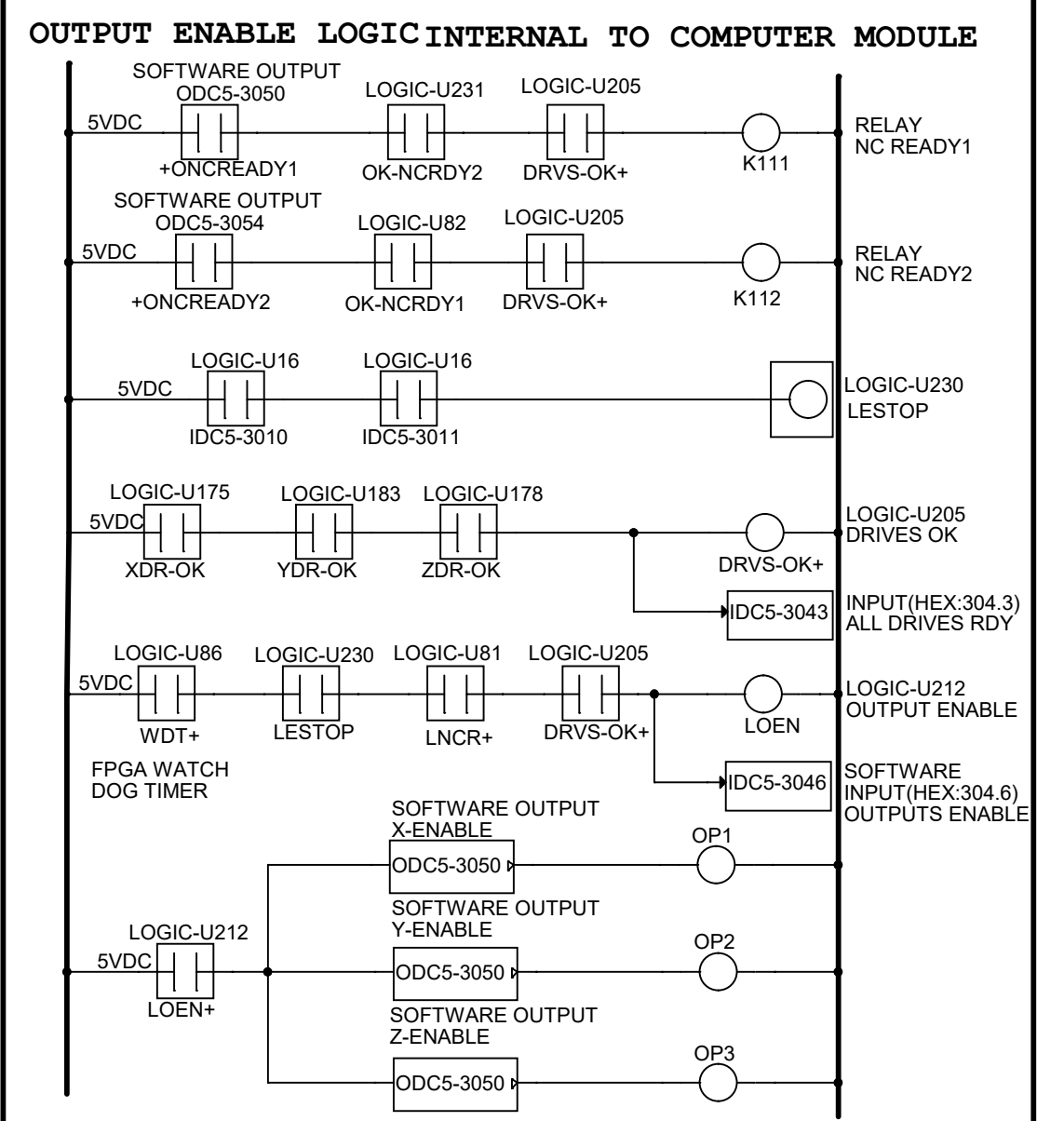
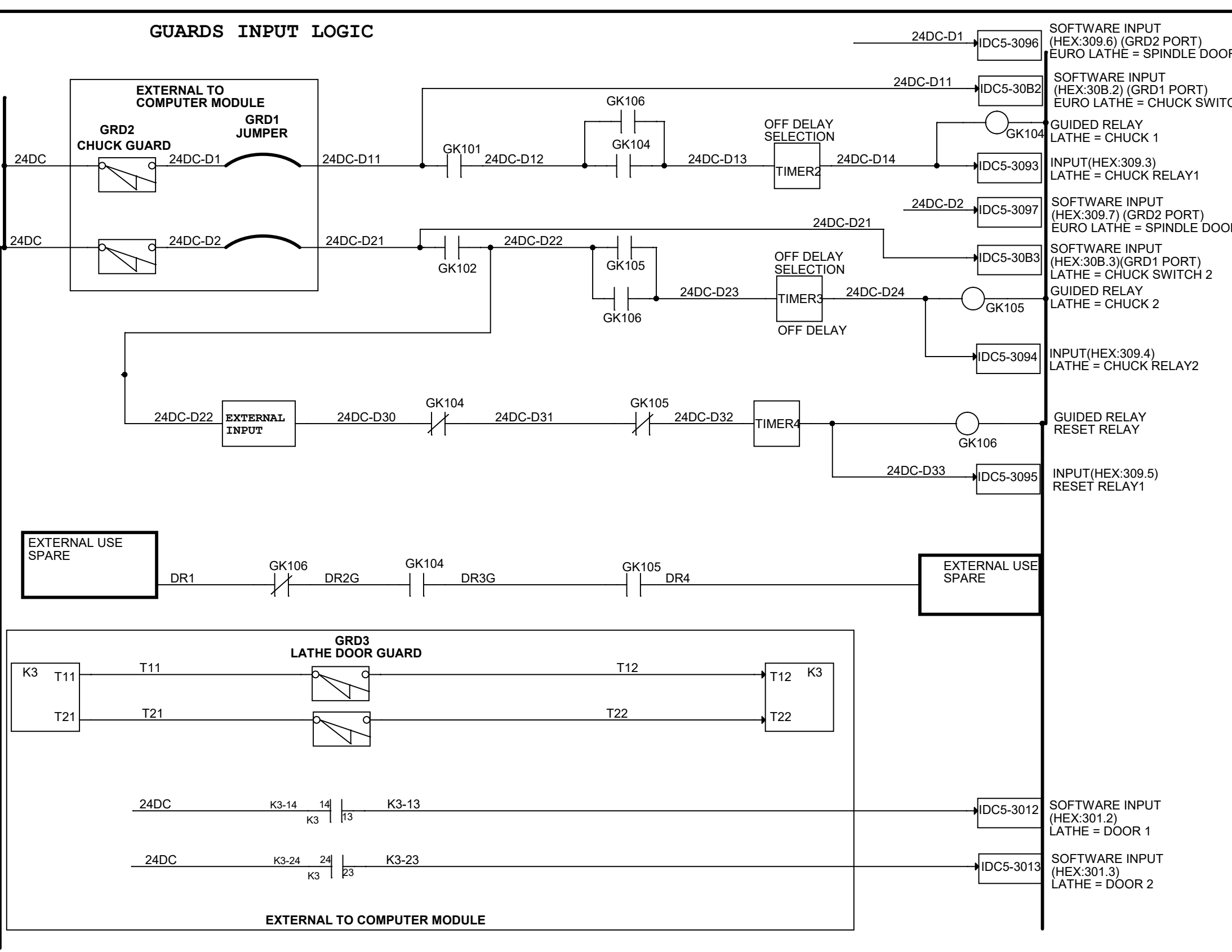
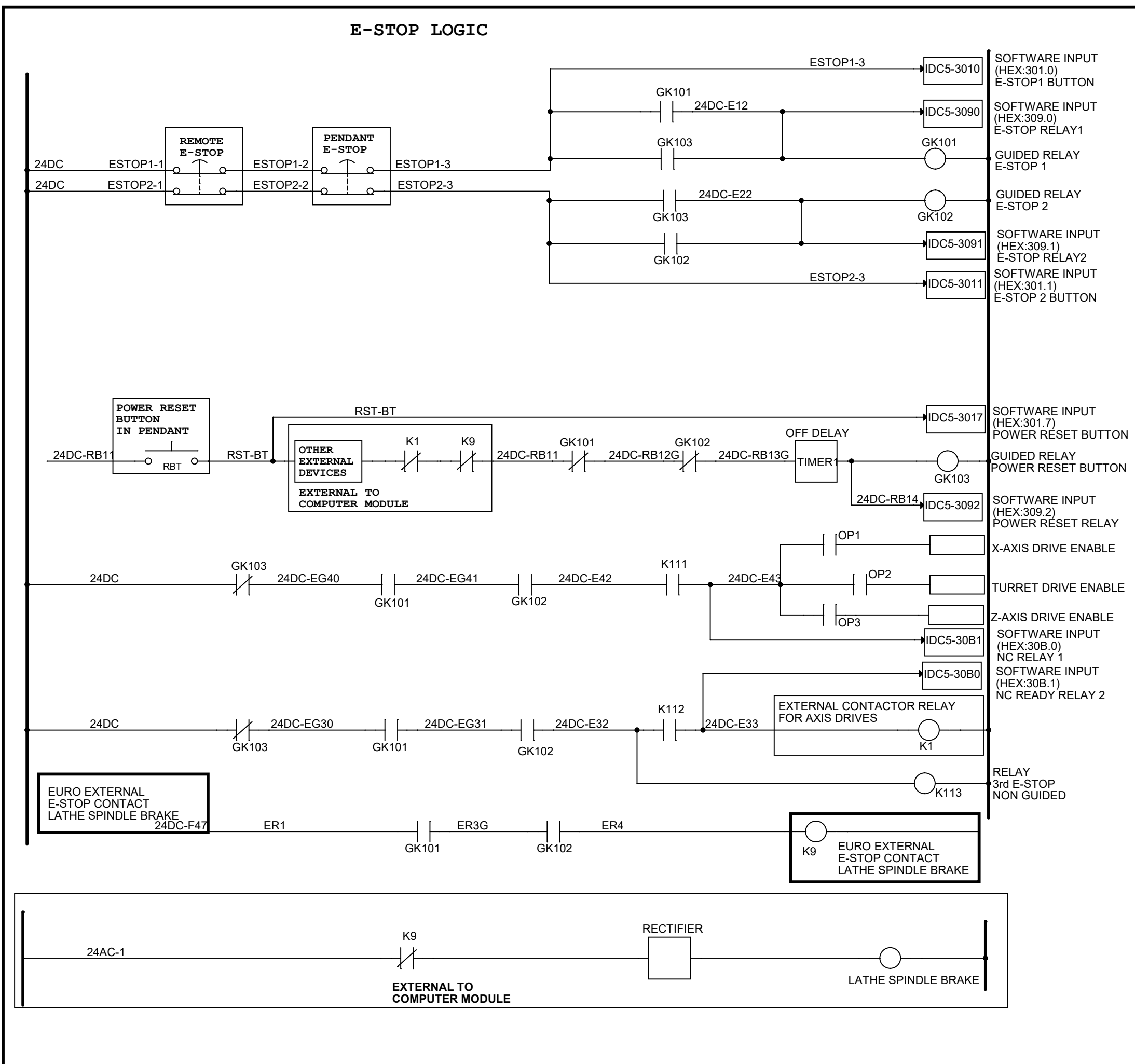


NOTES:
1.

APPROVALS		DATE	Southwestern Industries, Inc. 2615 Homestead Place. Rancho Dominguez, CA 90220	
DRAWN BY	R.O	5/13/2014	TITLE	SCHEMATIC-ELECTRICAL RLX-EURO-425
ENGINEER	R.O.	5/13/2014		
CHECKER				
Size	D	CAGE Code	DWG NO	29106-12-SCH
Scale			Sheet	28



1. THIS LADDER DIAGRAM REFLECTS THE EURO MILL COMPUTER MODULE 29100-5 INSTALLED IN THE 29103-12 ELECTRICAL CABINET
2. THIS LADDER DIAGRAM APPLIES TO COMPUTER MODULES WITH REV-E APPS BOARD AND HIGHER